

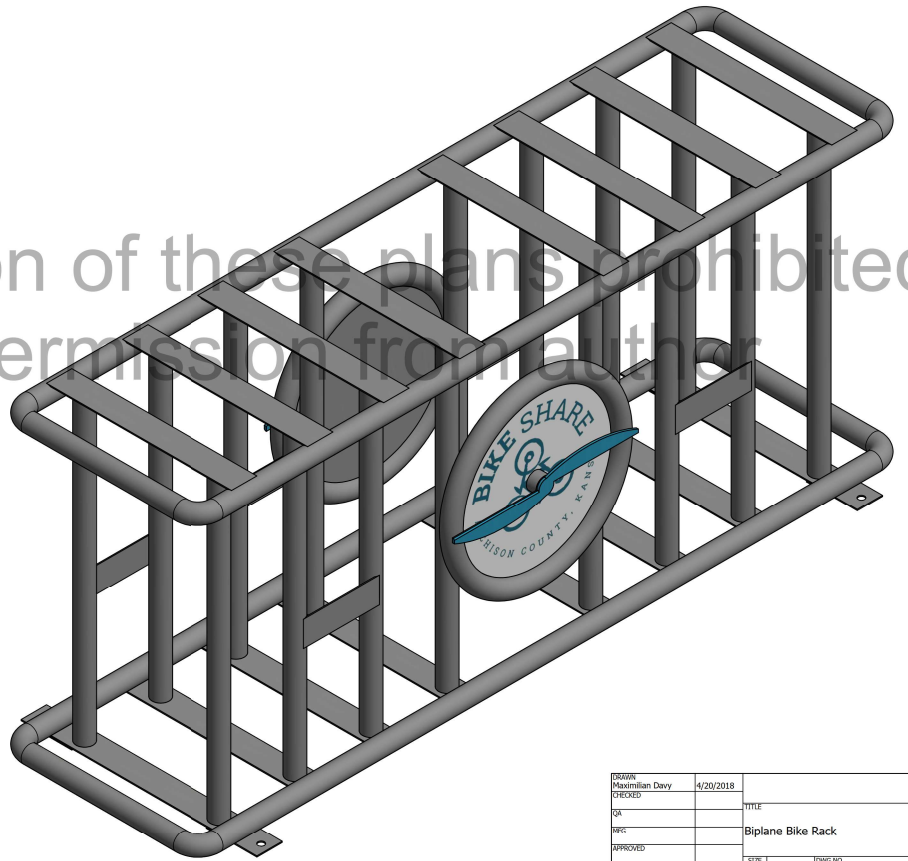
## Biplane Bike Rack

Capacity: 6 bikes, 2 from one side and 4 from the other

Materials cost: \$270 (not including finish)

### Features:

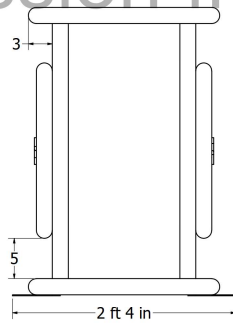
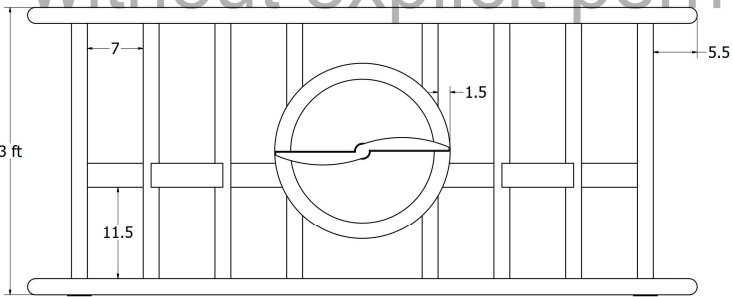
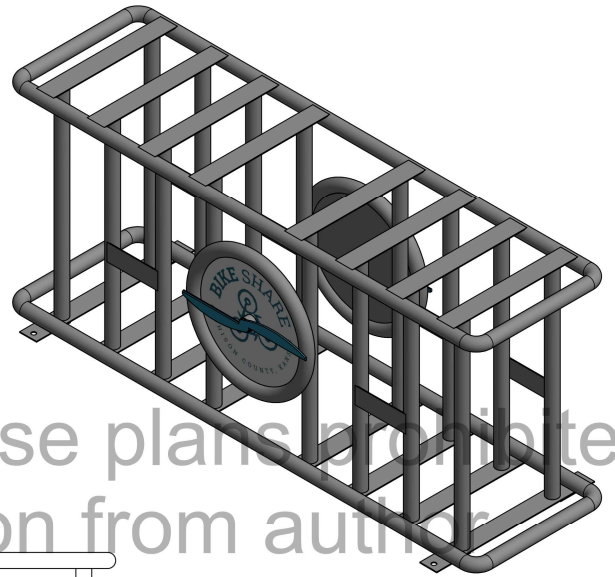
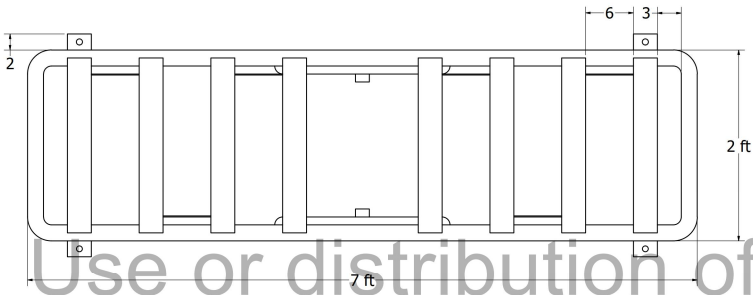
- Reminiscent of Earhart's first plane
- Prominent display of bike share logo
- Includes rotating propellers



Use or distribution of these plans prohibited without explicit permission from author

DRAWN	Maximilian Davy	4/20/2018	TITLE	
CHECKED				
DATE				
DESCRIPTION	Biplane Bike Rack			
APPROVED				
SCALE	D	UNSW/NO		REV
SCALE	1/4"	Rack mk2		
			SHEET	1 of 4

ALL DIMENSIONS IN INCHES UNLESS OTHERWISE NOTED



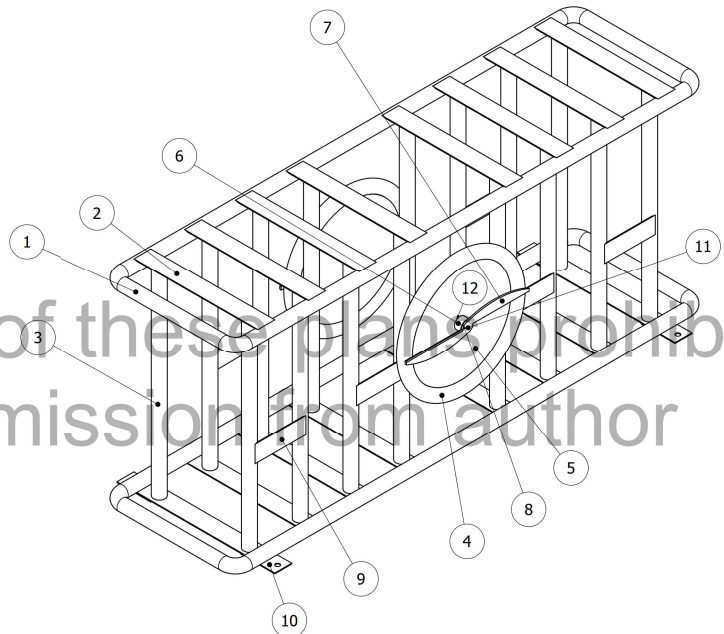
DESIGN	Maximilian Davy	4/20/2018	TITLE	
CHECKED				
DATE			Biplane Bike Rack	
APPROVED			DESIGNED	
			SCALE	1 / 6
			REVISED	
			BY	
			DATE	
			DESCRIPTION	Rack mk2
			REV	
			SHEET	2 of 4

ALL SHEET METAL IS 11 GAUGE  
 ALL TUBING IS 11 GAUGE, 2IN EXTERNAL DIAMETER  
 MATERIAL IS STEEL UNLESS OTHERWISE NOTED

GREY AND BLUE COLORS MATCH CURRENT BIKES  
 ALL PARTS ARE GREY UNLESS OTHERWISE NOTED

PARTS LIST

ITEM	QTY	PART NUMBER	DESCRIPTION
1	2	Base	Tubing External width: 84 in External depth: 24 in External corner radius: 3 in
2	16	BaseCrossbars	Sheet Metal Width: 3 in Length: 22 in
3	16	Column	Tubing Length: 35.75 in
4	2	Circle	Tubing External Diameter: 22 in
5	2	CircleInside	Sheet Metal Diameter: 18 in Center Hole Diameter: 2 in Grey with blue stenciled bike share logo
6	2	PropStandoff	Tubing Length: 2 in
7	2	Prop	Sheet Metal Width: 3.45 in Length: 21.75 in Blue See next page for full dimensions
8	1	PropHolder	Sheet Metal Diameter: 2 in
9	6	CrossBrace	Sheet Metal Width: 3 in Length: 9 in
10	4	GroundFlange	Sheet Metal Width: 3 in Depth: 6 in
11	1	Bolt	Stainless steel hex bolt, 18-8, 3/8"-16 x 1"
12	1	Nut	Stainless steel lock nut, 18-8, 3/8"-16

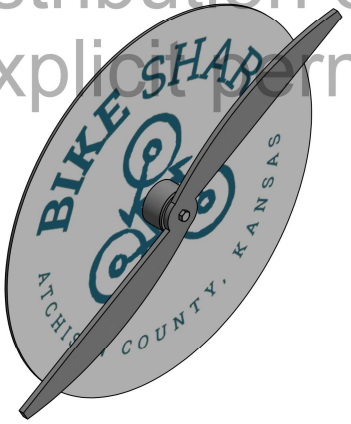
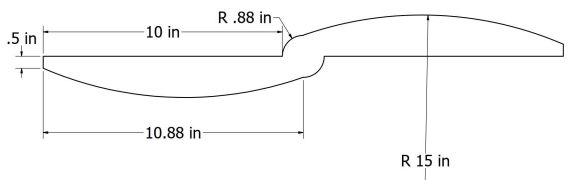
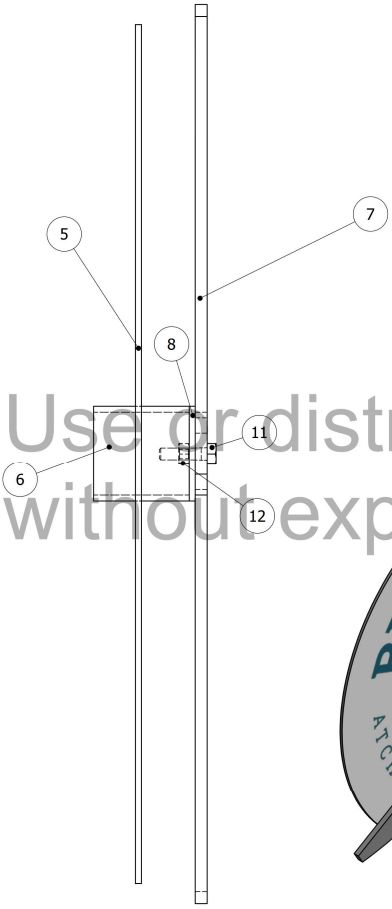


PROPELLOR MOUNTING DETAIL ON NEXT PAGE

DESIGN	Maximilian Davy	4/20/2018	TITLE	
DATE				
DESCRIPTION	Biplane Bike Rack			
APPROVED			SCALE	1/6
			DRAWING NO	Rack mk2
			REV	
			SHEET	3 of 4

DETAIL OF PROPELLOR MOUNTING

PROPELLOR DIMENSIONS



Use or distribution of these plans prohibited without explicit permission from author

DRAWN	Maximilian Davy	4/20/2018	
CHECKED			
DATE			TITLE
BY			Biplane Bike Rack
APPROVED			SCALE
			1:1
			DESIGNED
			Rack mk2
			REV
			SHEET 4 of 4